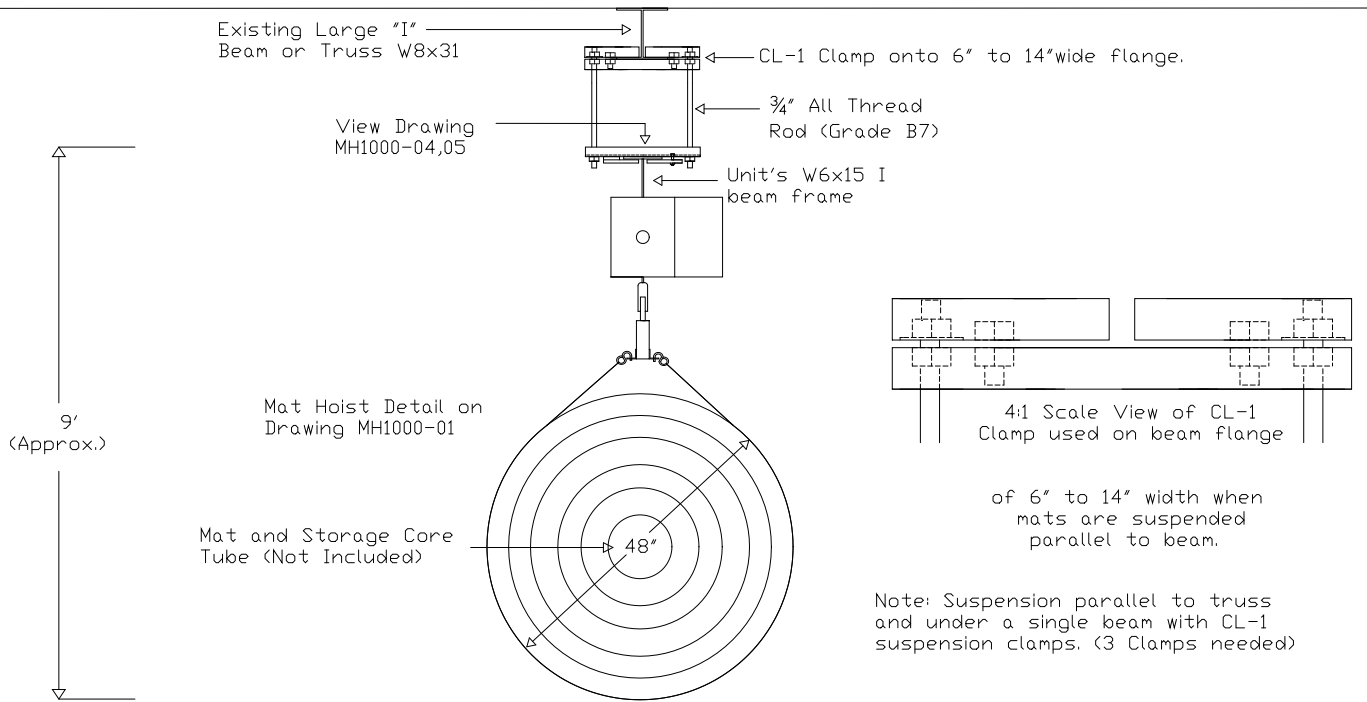


Illustrates: Use of CL-1 clamps to a single wide flange beam. Suspended parallel to beam.

Roof



Note: Structural Strength of Truss & Wall NOT Responsibility of Mat Hoist Manufacturer.

NGE Inc.  
P.O. Box 370/Industrial Park  
302 North Erickson  
Roland, IA 50236

Mat Hoist 1000  
CL-1 Clamp to "I" Beam  
Drawing MH1000-17

Phone: (515)-388-4118  
Fax: (515) 388-4340  
Email: mathoist@mathoist.com  
Website: www.mathoist.com